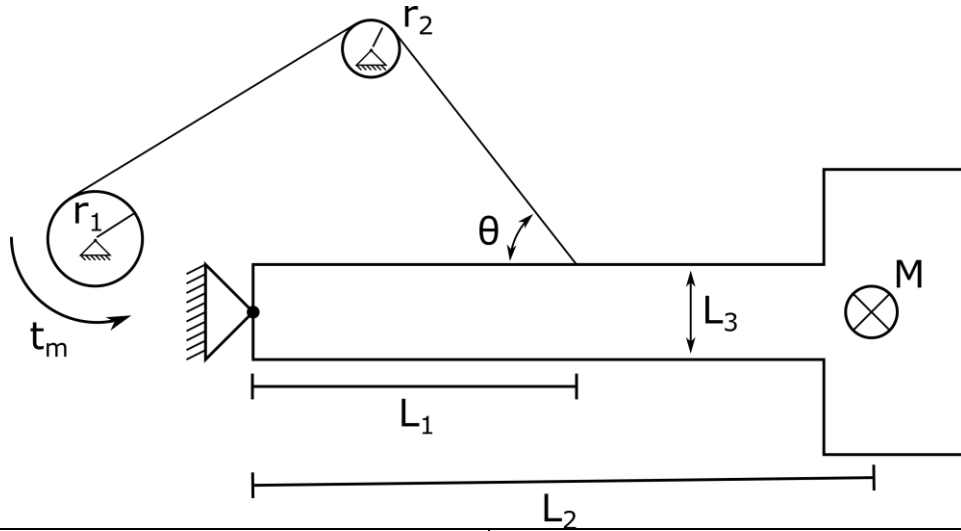
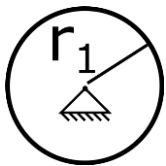


MAE3 - FBD Examples

In the following examples, solve for the motor torque required (τ_m) to lift the mechanism.



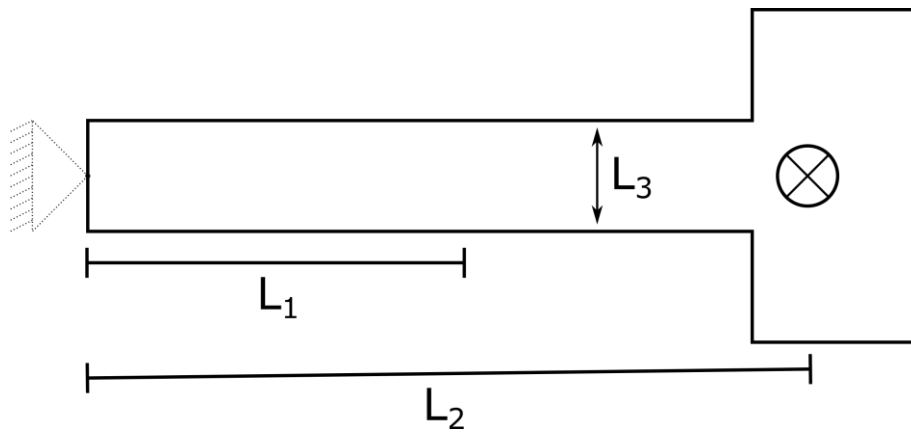
FBD 1:



FBD 2:



FBD3:

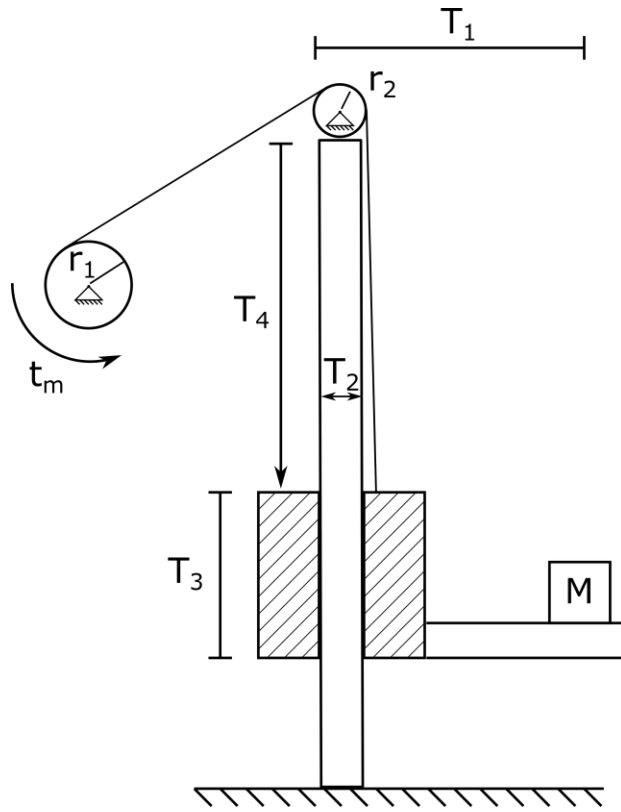


Equations FBD 1:

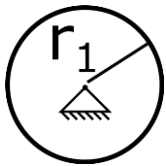
Equations FBD 2:

Equations FBD 3:

Solve for τ_m :



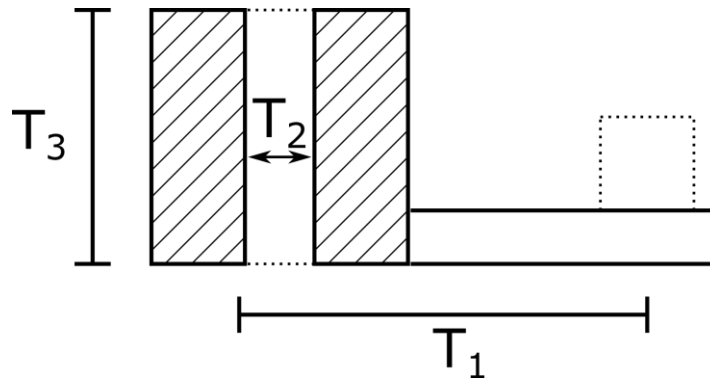
FBD 1:



FBD 2:



FBD 3:

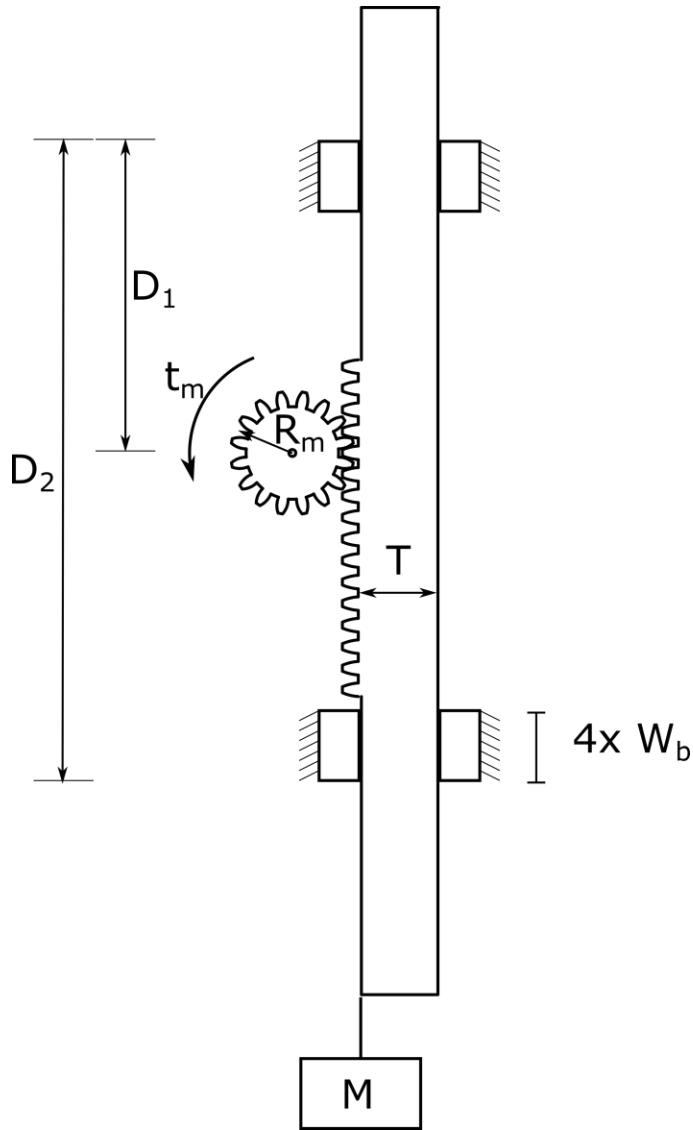


Equations FBD 1:

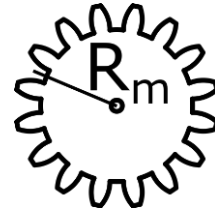
Equations FBD 2:

Equations FBD 3:

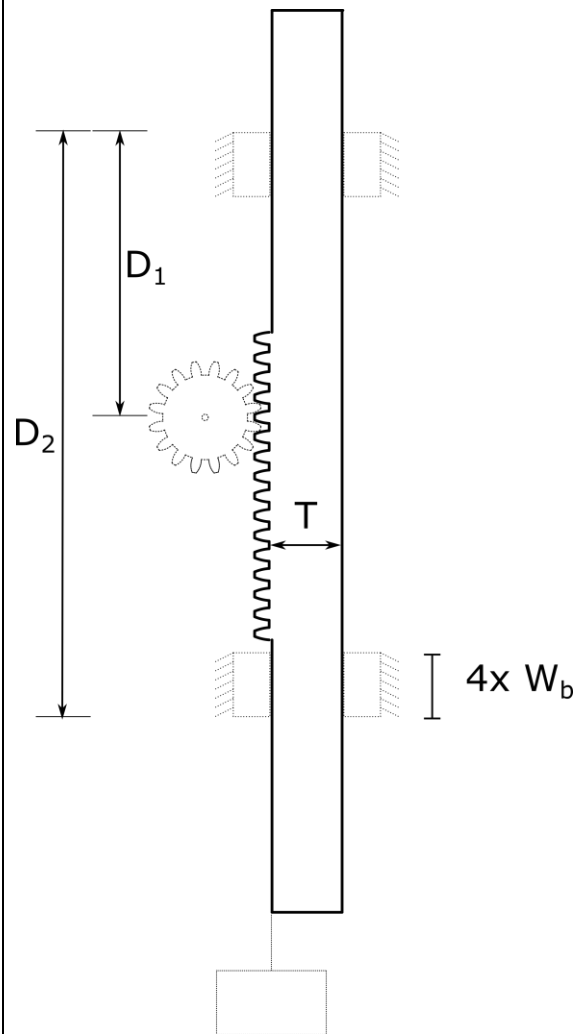
Solve for τ_m :



FBD 1:



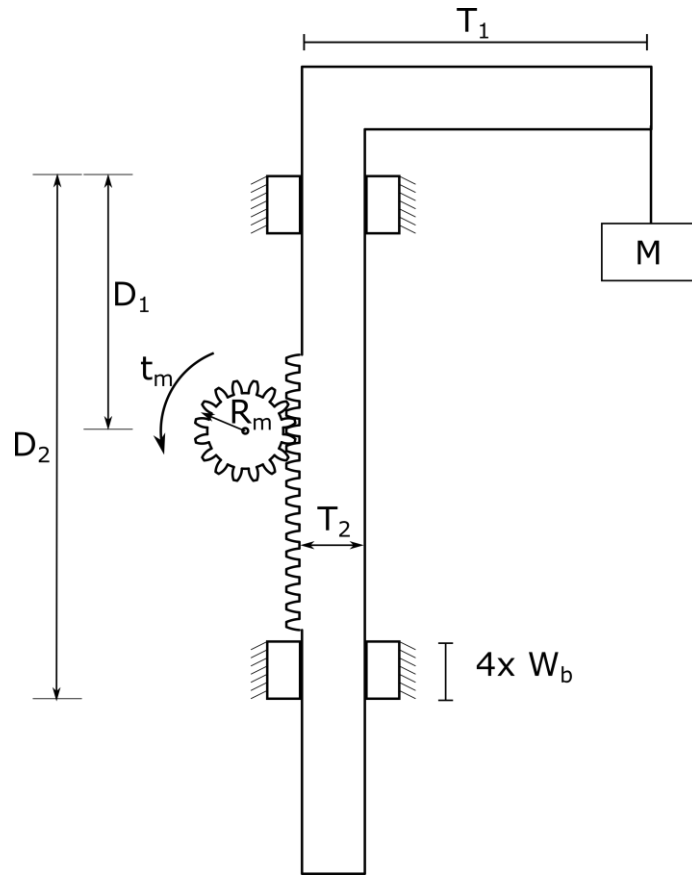
FBD 2:



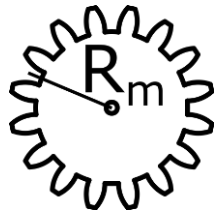
Equations FBD 1:

Equations FBD 2:

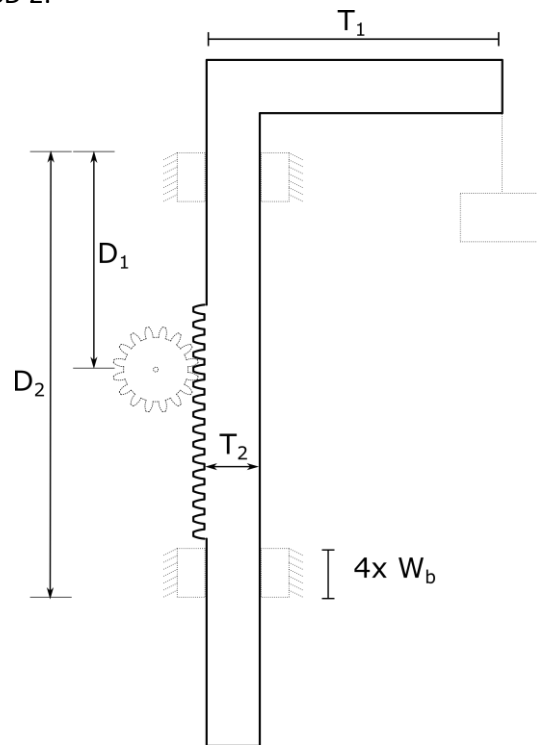
Solve for τ_m :



FBD 1:



FBD 2:



Equations FBD 1:

Equations FBD 2:

Solve for τ_m :